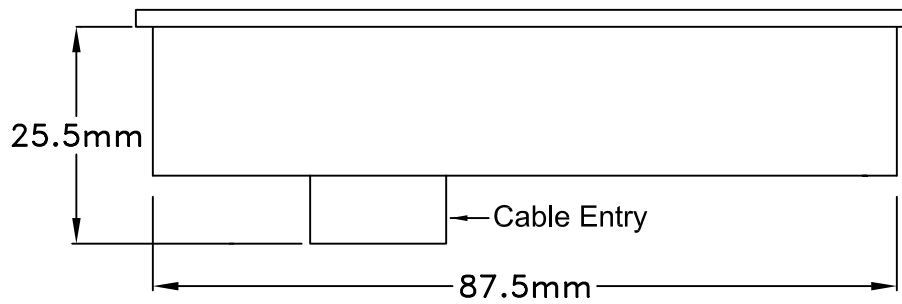
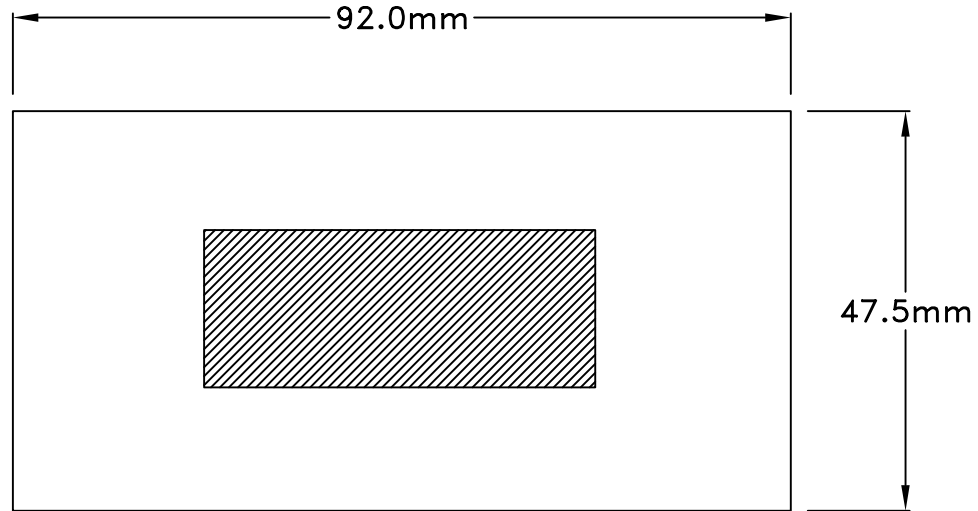


LCD8, LCD9, LCD10, LCD12 & LCD13



NOTE: FOR CUT OUT DIMENSIONS REFER TO DRAWING 02556

ISSUE	DESCRIPTION	APP'D	DATE
3	ADDED LCD13	MJK	10/10
2	ADDED LCD12	MJK	11/01
1	ORIGINAL ISSUE	MJK	9/00



JTL SYSTEMS LTD.
 41 KINGFISHER COURT, HAMBRIDGE RD,
 NEWBURY, BERKSHIRE. RG14 5SJ
 TEL: 01635 263646 FAX: 01635 263647

TITLE:
LCD8, LCD9, LCD10, LCD12 & LCD13
BOX DIMENSIONS

PROJ:	DRG No:	SHT	OF	ISS.
	02561	1	1	3