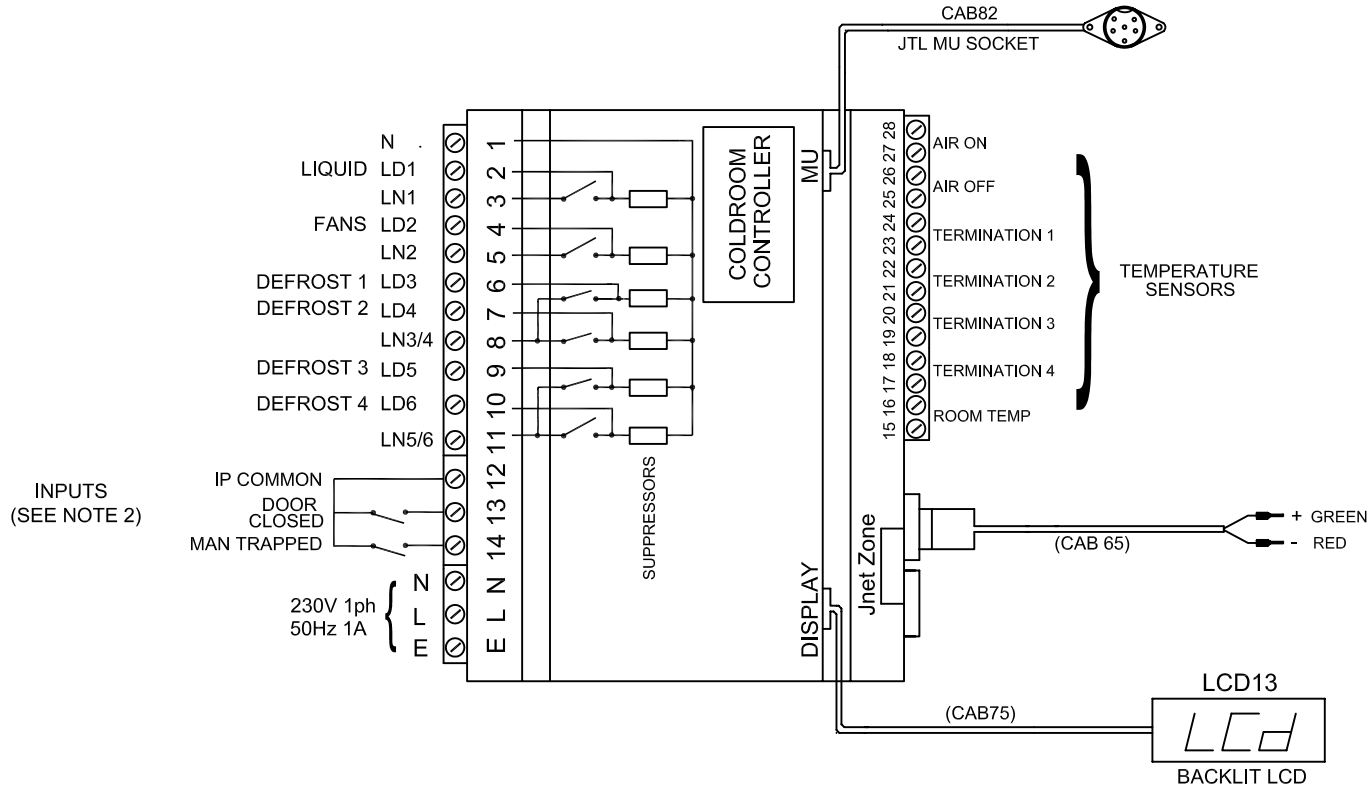


UACT COLDROOM CONTROLLER & ASSOCIATED PARTS SCHEMATIC



NOTES;

- 1. TO MEET EMC REQUIREMENTS THE CONTROLLER MUST BE INSTALLED ACCORDING TO THE INSTALLATION REQUIREMENTS SHEET FOR THIS PRODUCT.
- 2. INPUTS ARE FOR VOLT FREE CONTACTS

THIS IS AN UNCONTROLLED COPY - UNLESS STAMPED WITH CONTROLLED COPY STAMP

		JTL SYSTEMS LTD. 41 KINGFISHER COURT, HAMBRIDGE RD, NEWBURY, BERKSHIRE. RG14 5SJ TEL: 01635-263646 FAX: 01635-263647	
ISS	DESCRIPTION	APP'D	DATE
1	ORIGINAL ISSUE	MJK	07/11
TITLE: COLDROOM CONTROLLER & ASSOCIATED PARTS SCHEMATIC			
TYPE: UACT			
PROJ.	DRG No:	SHT	OF
UA	03850	1	1
ISS.			
1			